

ROBOTIC PARKING™
Simply a smarter & safer way to park

HOTEL SAMPLE

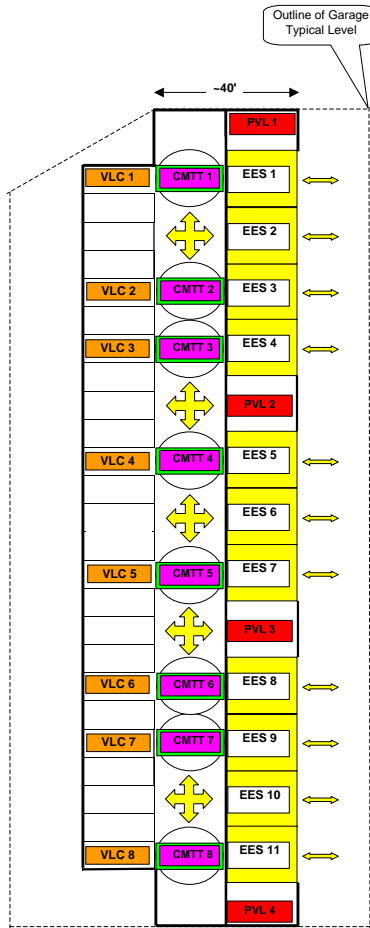
Drawn:HLR

©Patents Pending
Patents Issued :# 5669753 # 6502011 # 6662077 # 6851921

Technical Data	
Vehicle size max:	19' x 7' Pallet - 80" height limit
Parking capacity:	1523 Spaces
Throughput :	~ 440 cars/hour
Vehicle Weight: Maximum	5,500 lbs Average 4,500 lbs
Outside Bldg. Dimensions :	~ 98' x 228' x 128'
Electrical connections	480 V, 3ph = ___ KVA, ___ Amps
RPS 1000	

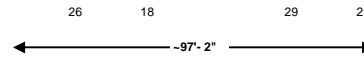
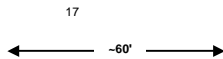
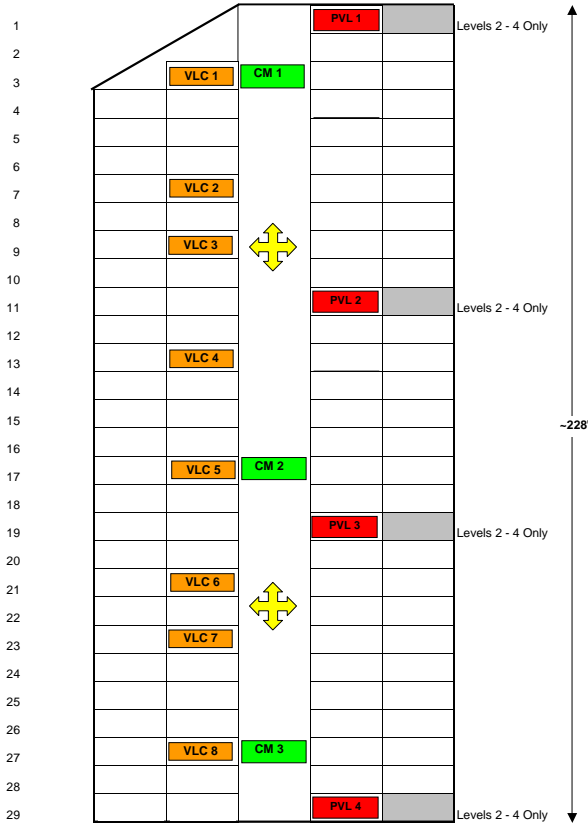
KEY	
CM: Carrier Module	
PVL: Pallet Vertical Lift	
EES: Entry Exit Station	
VLC: Vertical Lift Conveyor	
Possible Retail Area	
Lobby	
Stairs /Storage / Electrical	
Turntable	
PST: Pallet Stacker	

Entry Level
17 Spaces



Typical Level x 15
102 Spaces

NOTE: All dimensions to outside of steel.



NORTH

